

# Model 4300

## Overview

## Label Printer-Applicator



### Special Features

- Applies labels up to 6" wide x 6" long
- Prints text, bar codes and graphic images at 203, 300 or 600 dpi
- Non-contact, tamp-blow application
- Accurate labeling to within  $\pm 0.03$ "

### Weber's economical Model 4300 Pro-ApPLY printer-applicator features the functionality often limited to higher-duty production systems.

The result is a versatile in-line system that combines high-quality label printing and application that ensures fast, accurate pressure-sensitive labeling.

The Model 4300 Pro-ApPLY system is designed and engineered by Weber, and are assembled in our own U.S. manufacturing facility. Each unit is equipped with an on-demand, thermal/thermal-transfer print engine from Datamax, SATO or Zebra to produce 203-, 300- or 600-dpi text, bar codes and graphic images at speeds up to 16 ips.

Labels up to 6" wide and 6" long are printed in a cost-efficient, next-out mode, and then are instantly applied to cartons or products on the production or packaging line.

Utilizing the tamp-blow method of application, a printed pressure-sensitive label is automatically peeled from its liner and is retained by vacuum on the applicator's tamp pad. The pad is extended (select from 2" to 12" strokes) and blown onto the package from approximately 0.25".

Several standard tamp-pad sizes are available, and are provided in quick-change configurations. In just a few seconds, the tamp-pad can be removed and another fastened in its place to handle a different size label.

Standard features include durable anodized aluminum construction, an integrated user interface with LCD display, numerous inputs/outputs to facilitate the use of a product sensor or other optional accessories, and stepper motor-driven rewind. In addition, system components are readily accessible to ease service, and all units feature zero-downtime connectivity to ensure uninterrupted production.

Options include a variable stroke sensor, a label-on-pad sensor, and an adjustable stand that enables the system to be oriented for top, bottom or side application.

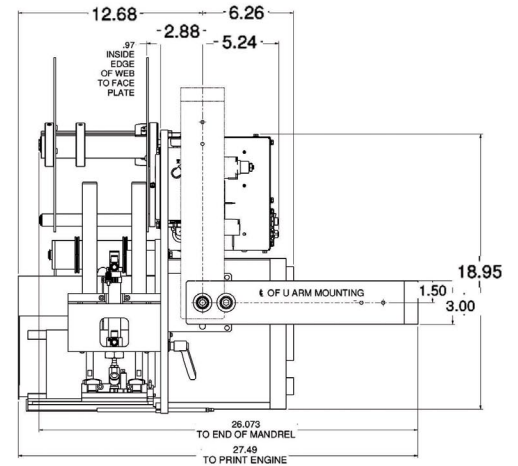
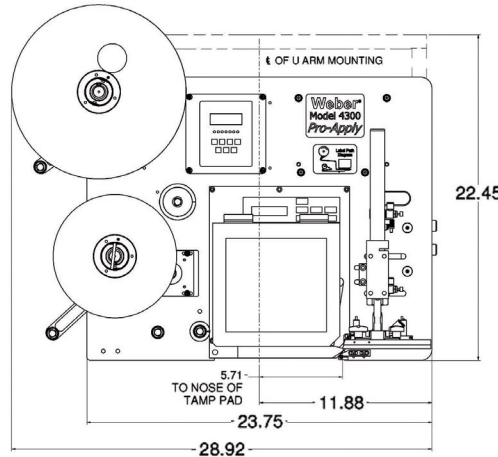
The Model 4300 Pro-ApPLY operates with Weber's exclusive Legitronic™ software, which simplifies label formatting, editing and printing.

Weber also manufactures a wide variety of stock and custom pressure-sensitive labels for variable imprinting, plus provides application-specific ribbons for thermal-transfer operation.

# Model 4300

## General Specifications

# Label Printer-Applicator



### Dimensions

28.92"L x 27.49"W x 22.45"H (73.5cm x 69.8cm x 57 cm)

### Weight

110 lbs. (49.9kg)

### Electrical

115 VAC, 60 cycle, 5 amps; overload protection built in; 220 VAC, 50 cycle optional

### Communication Interface

High-speed serial interfaces: RS-232C and RS-422 with DB9F connector; RS-485 multi-drop capability; Zebra Net 10/100 print server

### Air Requirements

3 cfm at 90 psi

### Product Sensing

Photoelectric

### Printing Methods

Direct-thermal or thermal-transfer

### Print Resolution

203-, 300- or 600-dpi, dependent upon print engine selected

### Label Sizes

Max 6.0"W x 6.0"L (152.4mm x 152.4mm)  
Min 0.625"W x 0.625"L (15.9mm x 15.9mm)

### Tamp-Pad Sizes

4" x 4", 4" x 6", 6" x 4" and 6" x 6"

### Print Speed & Resolution

- Zebra ZE500-4: Up to 12.0" per second (305mm) @ 203 dpi and 300 dpi
- Zebra 112R RFID: Up to 12.0" per second (305mm) @ 203 dpi
- Zebra 113R RFID: Up to 8.0" per second (203mm) @ 300 dpi
- Zebra ZE500-6: Up to 12.0" per second (305mm) @ 203 dpi
- Zebra ZE500-6: Up to 10.0" per second (305mm) @ 300 dpi
- SATO 8460SE: Up to 8.0" per second (203mm) @ 203 dpi
- SATO 8485SE: Up to 12.0" per second (305mm) @ 203 dpi
- SATO 8490SE: Up to 8.0" per second (203mm) @ 300 dpi
- SATO S84 Series: Up to 16", 14" or 6" per second (406mm, 355.5mm, 152.4mm) @ 203, 300 or 600 dpi
- Datamax A-4212: Up to 12.0" (305mm) per second @ 203 dpi
- Datamax A-4310: Up to 10.0" (254mm) per second @ 300 dpi
- Datamax A-4606: Up to 6.0" (152mm) per second @ 600 dpi
- Datamax A-6212: Up to 12.0" (305mm) per second @ 203 dpi
- Datamax A-6310: Up to 10.0" (254mm) per second @ 300 dpi

### Label Roll Size

Maximum outside diameter 12.0" (305mm)

### Labeling Speed

Contingent upon label size/content

### Label Placement

Accurate to  $\pm 0.03"$  (0.8mm) when labels are produced to specifications and product handling is consistent and controlled

### Labels

Die-cut, waste removed with 0.125" (3mm) minimum separation between labels in running direction and 0.125" (3mm) maximum web over label width; direct or thermal-transfer

### Software

Weber Legitronic®

### Print Characters & Bar Codes

Text: Selection of fonts, including OCR-A & B representation  
Bar Codes: UPC-A/E, EAN-8/13, Code 39, 12 of 5, Code 128, Codabar, MSI 2 of 5, Code 93, UPC Bookland, Matrix 2 of 5, Postnet, UCC/EAN 128, PDF-417, Maxicode, Data Matrix, others

(Text and bar codes can be rotated 360 degrees; horizontal and vertical character expansion)

### Optional Features

- Adjustable stand
- Variable stroke sensor
- Label-on-pad sensor
- Low-label sensor
- Vacuum shut-off
- Strobe light